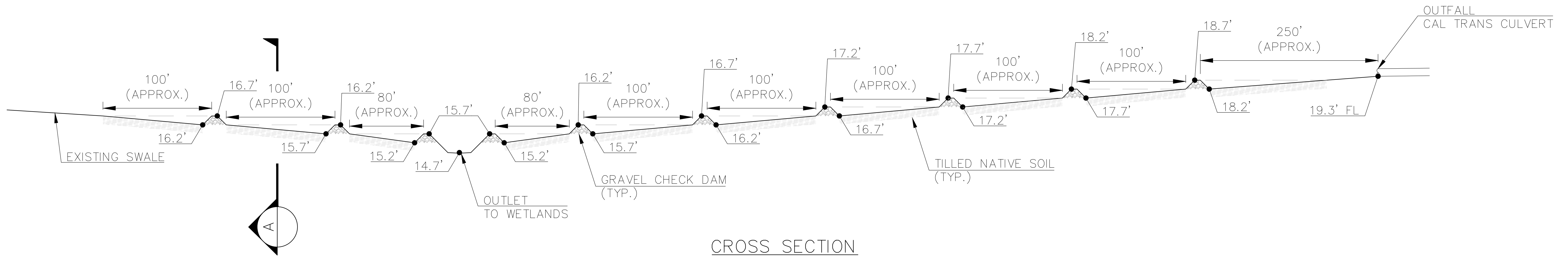
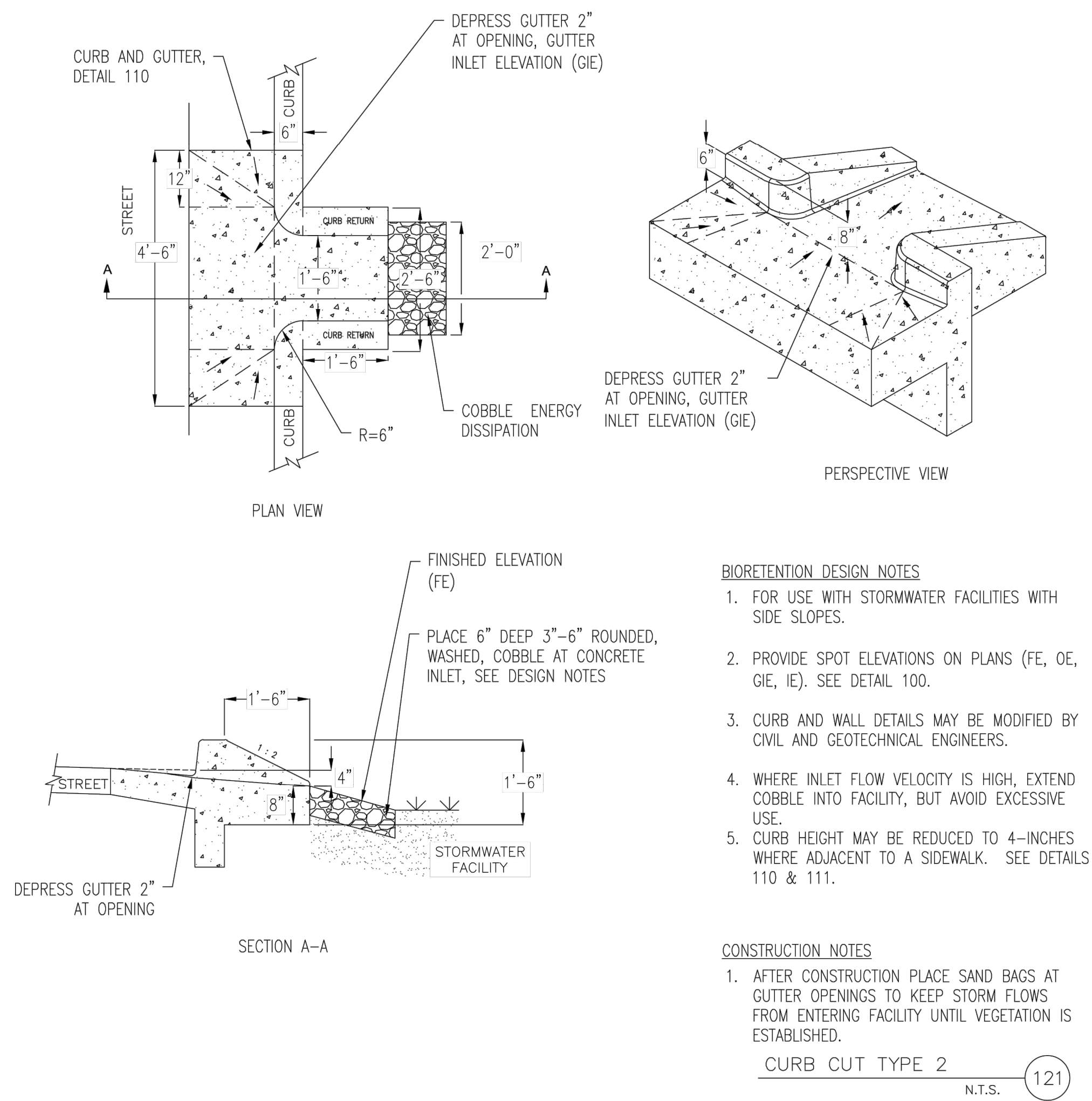




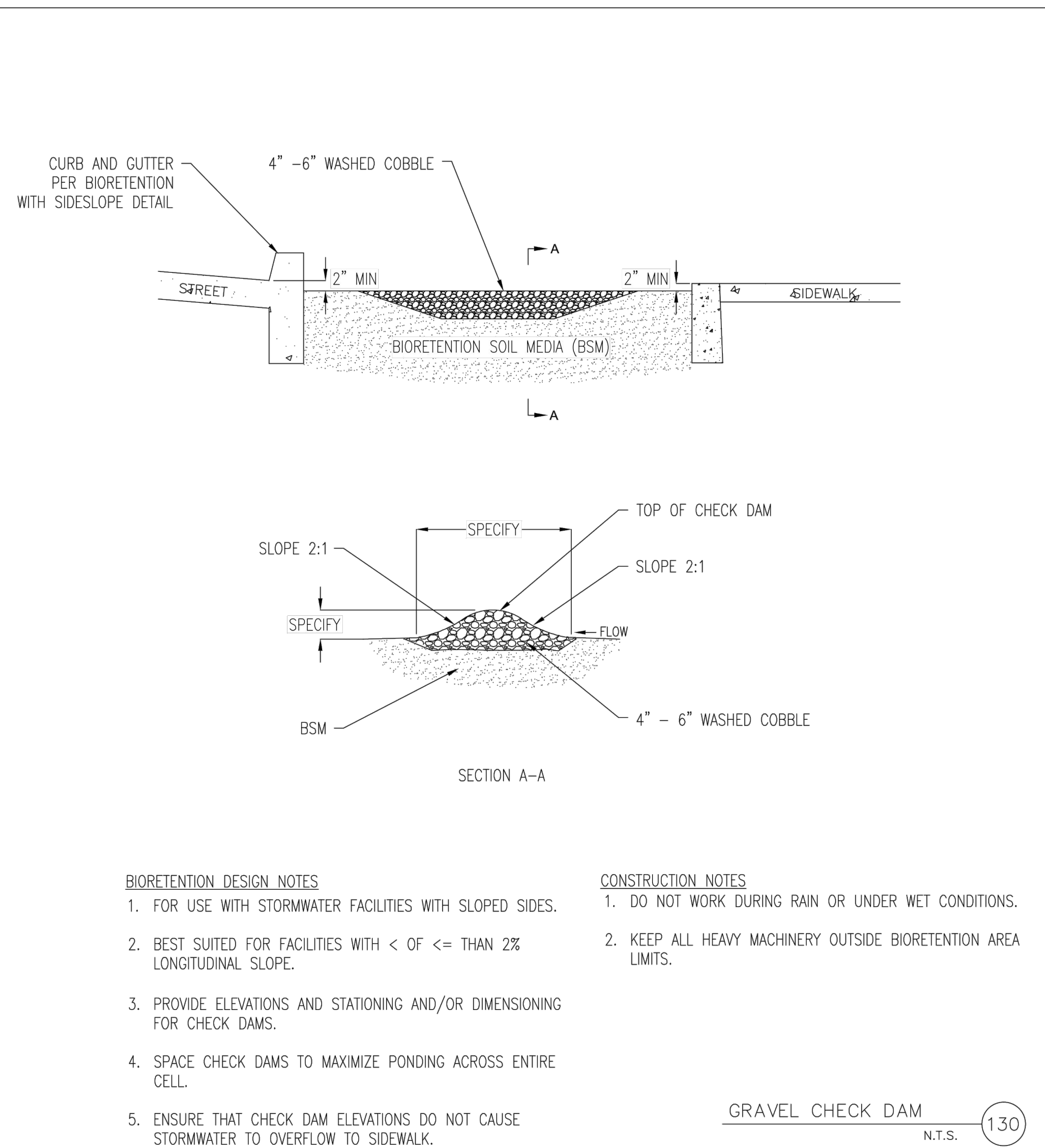
F:\proj\2017\170119\4 Production and Drafting\Const Dwg\Landscpe Arch\Exhibits\City of Morro Bay\Cloisters-Retention.dwg 1-17-18 04:20:32 PM jared



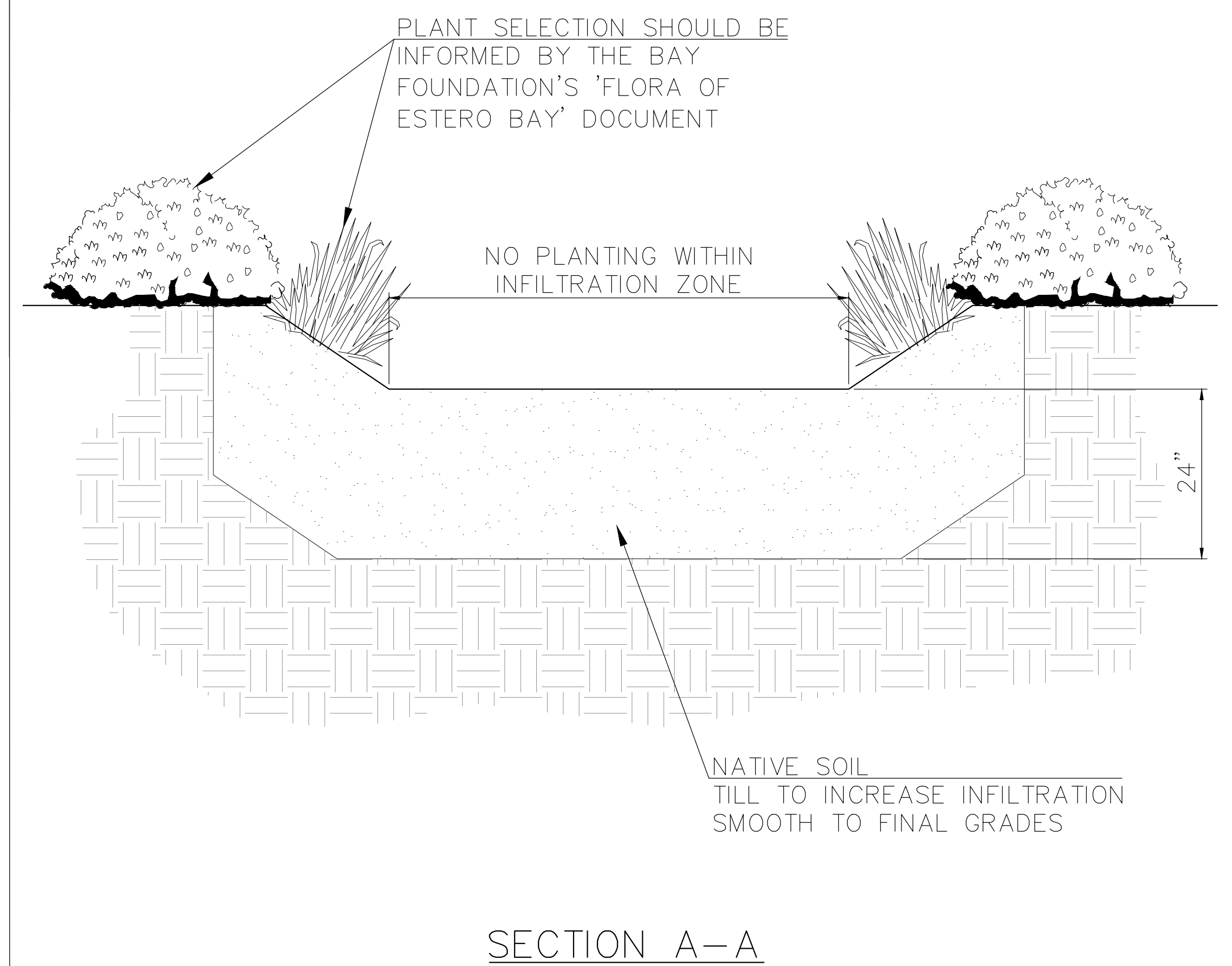
CROSS SECTION



LOW IMPACT DEVELOPMENT STORMWATER MANAGEMENT STANDARD DETAILS	VERSION: 6/23/2016	detail number
<b>Curb Cut Inlet for Side Slopes (rain garden or swale)</b>		<b>121</b>
Municipality Department Name		



LOW IMPACT DEVELOPMENT STORMWATER MANAGEMENT STANDARD DETAILS	VERSION: 6/23/2016	detail number
<b>Gravel Check Dam</b>		<b>130</b>
Municipality Department Name		



SECTION A-A

<p>1050 Southwood Drive San Luis Obispo, CA 93401 P 805.544.7407 F 805.544.3863</p>	LIDI <b>CLOISTERS INFILTRATION BASIN</b> CROSS SECTION CITY OF MORRO BAY, CA		
	DRAWN BY JMD	DATE 2017-08-30	CA JOB NO. 170119
CHECKED BY KK & MM	SCALE N.T.S.	SHEET OF	

THESE DRAWINGS ARE INSTRUMENTS OF SERVICE AND ARE THE PROPERTY OF CANNON. ALL DESIGNS AND INFORMATION ON THESE DRAWINGS ARE FOR USE OF THE SPECIFIED PROJECT AND SHALL NOT BE USED OTHERWISE OR REPRODUCED WITHOUT THE EXPRESSED WRITTEN PERMISSION OF CANNON.